



The Mark of Linear Motion

THK was the first company in the world to develop the linear motion system, which is based on an original concept and innovative technology. Today, linear motion systems have been adopted for a variety of industrial applications as machine components vital to the mechatronics sector. Achieving the impossible by utilizing rolling motion to produce linear motion in machinery, linear motion systems made it possible to design equipment that is **high-precision, high-speed, labour-saving, and eco-friendly** because of the improved efficiency.

Guided by our corporate philosophy of providing innovative products to the world and generating new trends to contribute to the creation of an affluent society, we anticipate future trends and use our original technology and expertise to strive for new innovations.

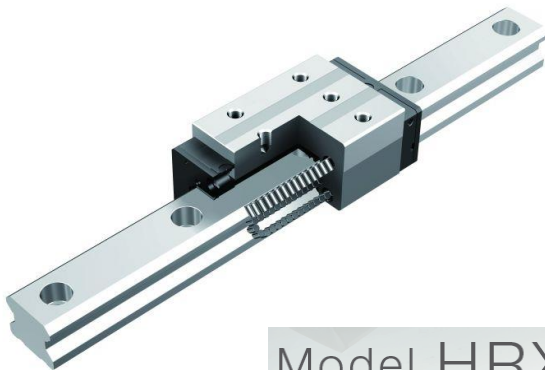
Linear Motion Guide

The Linear Guide is our main product, which incorporates a component with a linear rolling motion into practical use for the first time in the world. It significantly contributes to the development of high-precision, high-rigidity, energy-saving, high-speed machines with long service lives.





THK's LM guide is used in various industries like **Machine tools**, **Industrial robots**, **Aerospace**, **General industrial machinery**, **Electronic devices**, **Medical and assistive devices**, **Semiconductor and LCD manufacturing equipment**, **Construction**, **Precision instruments**, **Transport systems** and **Other manufacturing industries**.



Model HRX
Roller Type LM Guide

For IMTEX 2022 we are promoting our HRX model linear motion guide.

The HRX is an LM Guide that uses rollers as a rolling element for higher rigidity. Also, compared to our existing roller products, we have extended the overall length of the LM block and increased the number of load-bearing rollers to achieve improved static load rating which makes it one of **'the best'** choice for **Machine Tools**.